

MO-6900C Series

Super-high-speed, Cylinder-bed, Overlock Machine



MO-6914C

MO-6900C Series

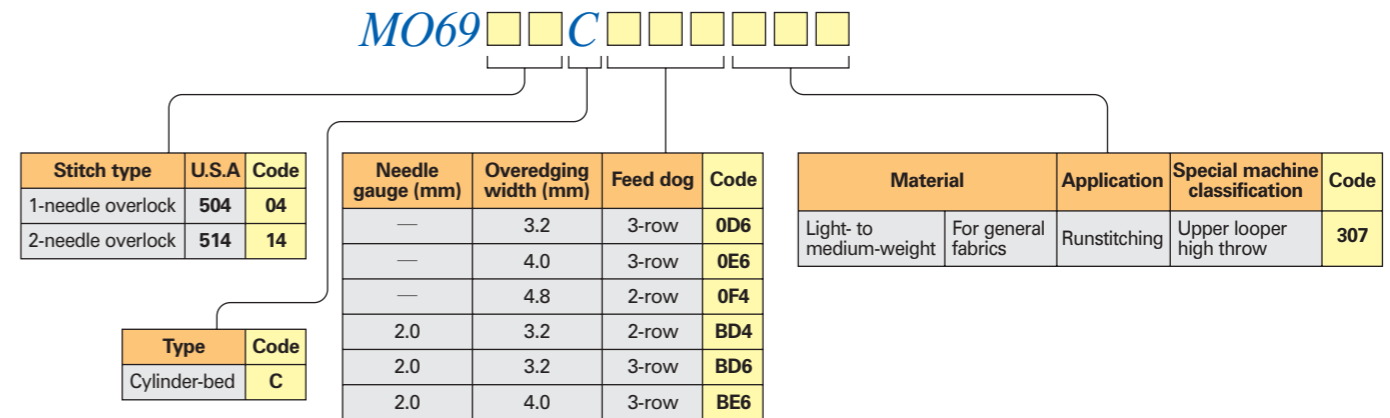
SPECIFICATIONS

Model name	MO-6904C	MO-6914C
Stitch type	1-needle overlock	2-needle overlock
Stitch style in the U.S.A.	504	514
Max. sewing speed	8,000sti/min*	
Stitch length	0.8~ 3.5mm	
Needle gauge (mm)	—	2.0
Overedging width (mm)	3.2, 4.0, 4.8	3.2, 4.0
Differential feed ratio	For gathering 1:2.3 (max. 1:4.5), For stretching 1:0.8	
Needle bar stroke	24.5mm	
Inclination angle of the needle	20°	
Needle mechanism	Needle bar method and upper/lower bushing	
Needle	DC×27	
Max. lift of the presser foot	7mm (excluding some subclass model)	
Max. presser foot pressure	63.7N (6.5kg)	
Stitch adjusting method	By push-button	
Differential-feed adjusting method	By lever	
Weight of the machine head	24kg	
Lubrication	Automatic	
Lubricating oil	JUKI Machine Oil 18 (equivalent to ISO VG18)	
Needle cooler	Provided as standard	
Needle thread heat remover	Provided as standard	
Micro-lifter	Provided as standard	

* "sti/min" stands for "Stitches per Minute."

WHEN YOU PLACE ORDERS

Please note when placing orders, that the model name should be written as follows:



● To order, please contact your nearest JUKI distributor.



JUKI CORPORATION HEAD OFFICE
 The environmental management system to promote and conduct
 (1) the technological and technical research, the development and design of the products in which the environmental impact is considered,
 (2) the conservation of the energy and resources, and the recycling in the research, development, design, distribution, sale and maintenance service of the industrial sewing machines, household sewing machines and industrial-use robots, etc. and in the purchase, distribution and sale of the household commodities including the healthcare products.

JUKI® 2-11-1, TSURUMAKI, TAMA-SHI, TOKYO 206-8551, JAPAN
 PHONE : (81) 42-357-2254
 FAX : (81) 42-357-2274
 http://www.juki.com

JUKI CORPORATION
 INDUSTRIAL SEWING MACHINE DIV.

* Specifications and appearance are subject to change without prior notice for improvement.
 * Read the instruction manual before putting the machine into service to ensure safety.
 * This catalogue prints with environment-friendly soy ink on recycle paper.

MO-6900C Series

New and powerful machine for sewing tubular materials!

The MO-6900C Series sewing machine, provided with a small-in-diameter cylinder bed, is capable of runstitching or blind-hemming tubular materials, such as sleeve cuffs, with ease. The operator can carry out sewing of the tubular material while turning it downward. This promises improved workability and contributes to dramatically increased productivity.



MO-6904C

The machine ensures both beautiful and upgraded seam quality at higher speeds.

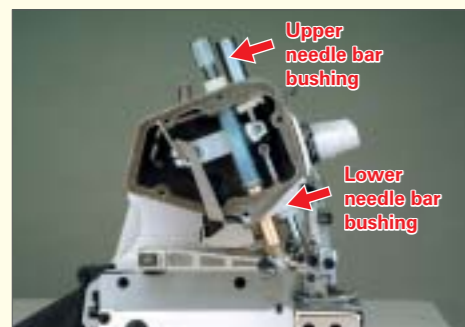
Since the machine comes with a needle-thread take-up mechanism as well as a looper thread take-up mechanism, to enable sewing with a lower tension applied to the material, it achieves soft-feeling high-quality seams.



MO-6914C

Further increased reliability.

The introduction of a shield-structured needle bar mechanism and upper and lower needle bar bushings, contributes to increased durability and reliability. The machine is provided as standard with a cartridge type oil filter and cooling fan, thereby ensuring enhanced reliability.



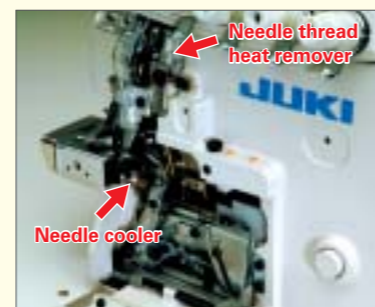
Mechanisms that promise improved operability.

Since the machine is provided as standard with the bottom feed dog inclination-adjusting mechanism and the external differential feed-increasing mechanism, it can be easily adjusted to ideally match the material being sewn. In addition, the machine is provided as standard with a micro lifter feature that offers improved responsiveness to materials, and provides the operator with upgraded operability. The stitch length can be easily adjusted with the push-button mounted on the front surface of the sewing machine.



The needle thread heat remover and needle cooler are equipped as standard.

To offer improved sewing capabilities as well as to prevent stitching mishaps during high-speed sewing, the machine is provided as standard with the needle thread heat remover and needle cooler.



Small-in-diameter cylinder bed.

The cylinder bed is bestsuited to the runstitching and blind hemming of tubular materials. Gauges and devices you have used with your existing JUKI machines are also interchangeable with no additional machining required. This eliminates both the waste of resources and unwanted extra costs.



SUBCLASS MACHINE LIST

Seams	Model No.	Materials	Number of needles	Number of threads	Needle gauge (mm)	Overedging width (mm)	Number of feed dog rows	Stitch length (mm)	Bottom differential-feed ratio	Presser lifting amount (mm)	Needle system	Max. sewing speed (sti/min)	Remarks
-------	-----------	-----------	-------------------	-------------------	-------------------	-----------------------	-------------------------	--------------------	--------------------------------	-----------------------------	---------------	-----------------------------	---------

<1-needle overlock>

Seams	MO-6904C-0D6-307	L~M	1	3	—	3.2	3	3.5	1:0.8~1:2.3	7	DC×27 #11	8,000	Upper looper extra high throw type
	MO-6904C-0E6-307		1	3	—	4.0	3	3.5	1:0.8~1:2.3	7	DC×27 #11	8,000	
	MO-6904C-0F4-307		1	3	—	4.8	2	3.5	1:0.8~1:2.3	7	DC×27 #14	8,000	

<2-needle overlock>

Seams	MO-6914C-BD4-307	L~M	2	4	2.0	3.2	2	3.5	1:0.8~1:2.3	6.5	DC×27 #11	8,000	Upper looper extra high throw type
	MO-6914C-BD6-307		2	4	2.0	3.2	3	3.5	1:0.8~1:2.3	6.5	DC×27 #11	8,000	
	MO-6914C-BE6-307		2	4	2.0	4.0	3	3.5	1:0.8~1:2.3	6.5	DC×27 #11	8,000	

* "sti/min" stands for "Stitches per Minute."

DEVICES AND ATTACHMENTS

Model	Part No.	Description
-------	----------	-------------

Chain-off thread trimming device

T043	MAT-043000A0	Pneumatic side cutter
------	--------------	-----------------------

Blower-type chain-off thread suction device

MC-7B	—	Blower-type chain-off thread suction device + cloth chips
-------	---	---

Pneumatic chain-off thread suction device

MC-38	—	Pneumatic chain-off thread + cloth chips
MC-39	—	Function of MC-8 + auto-lifter

*The aforementioned devices are not equipped with air regulator. Please purchase the following components when you need to regulate air pressure.

—	PF-0552010-B0	Air regulator (FR. unit asm.)
—	GMD-01080000×2	Fixing screw for FR. unit asm.
—	F1021-003-000	Tube connector (male)
—	GAS-12063000 *	One-touch connector *Selection parts instead of the tube connector

Auto-lifter

AK93	GAK-930000A0	Pneumatic type (knee-operated)
AK94	GAK-940000A0	Pneumatic type (with chain-off thread suction device)
AK102	GAK-A02000A0	Pneumatic type (for servomotor)

Model	Part No.	Description	Feature
-------	----------	-------------	---------

Blind hemming device

L124	MAL-124000A0	Blind stitch hemming attachment	A ruler used for blind hemming in knits	
L125	MAL-125001A0	Automatic folded-edge controlled blind hemming device	For flat upper knife	For 110, 115, 220, 240V
	MAL-125002A0		For 220, 380, 415, 440V	
	MAL-125001AA		For square upper knife	For 110, 115, 220, 240V
	MAL-125002AA		For 220, 380, 415, 440V	

The attachment automatically detects the overlapped section of a material. Then, it makes the needle enter the material deeper to prevent stitch deviation.

Cloth tensioner

TR01	—	Small-diameter roller for rib attaching
TR02	—	Large-diameter cloth tensioner

Ruler, Miscellaneous

H153	MAH-153000A0	Cloth edge guide ruler	A swing type edge guide.
—	122-26155	Cloth plate	Wider material can be sewn by attaching the cloth plate.

[Reference]

Combination table of "chain-off thread suction device" and "auto-lifter" which correspond to "chain-off thread trimming device".

Chain-off thread trimming device	Chain-off thread suction device	Auto-lifter
T043	MC-7B	AK102 (JUKI servomotor)
	*—	AK94 (any motor will do) *AK94 is equipped with chain-off thread suction device.
	MC-38	AK102 (JUKI servomotor)
	MC-39	— (MC-39 is equipped with auto-lifter.)